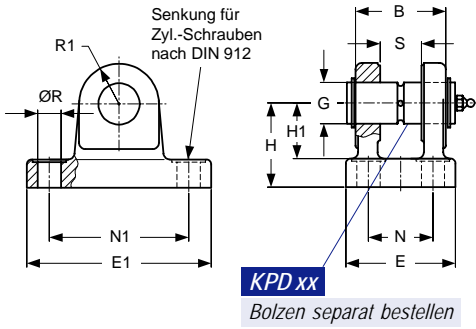
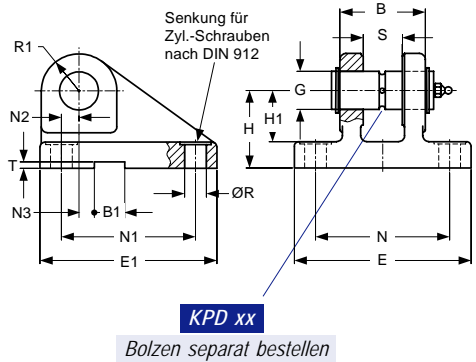
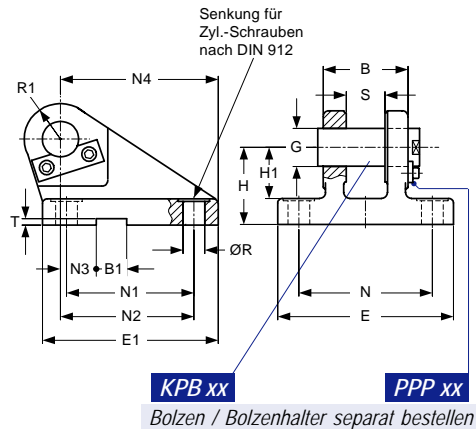


Gabel-Lagerbock 90°, ISO 8132


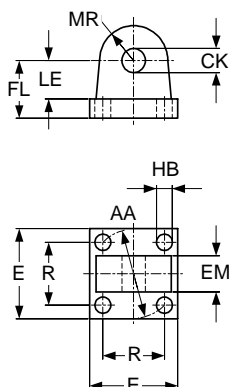
Zylinder-Standards 16M / 25M														
Typ	B	E	E1	G	H	H1	N	N1	R	R1	S	Gewicht	Tragzahlen	
				H7/m6								[kg]	dyn	stat
													[kN]	[kN]
IKA 10	24	33	60	10	32	22	17	42	6.6	10	10	0.1	5	10
IKA 12	28	40	70	12	34	22	20	50	9	12	12	0.3	8	16
IKA 16	36	50	90	16	40	27	26	65	11	16	16	0.6	12.5	25
IKA 20	45	58	98	20	45	30	32	75	11	20	20	0.9	20	40
IKA 25	56	70	113	25	55	37	40	85	13.5	25	25	1.6	32	64
IKA 32	70	85	143	32	65	43	50	110	17.5	32	32	2.8	50	100
IKA 40	90	108	170	40	76	52	65	130	22	40	40	5.0	80	160
IKA 50	110	130	220	50	95	65	80	170	26	50	50	10.1	125	250
IKA 63	140	160	270	63	112	75	100	210	33	63	63	15.4	200	400
IKA 80	170	210	320	80	140	95	125	250	39	80	80	30	320	640

Gabel-Lagerbock 90°, ISO 8132


Zylinder-Standards 16M / 25M																		
Typ	B	B1	E	E1	G	H	H1	N	N1	N2	N3	R	R1	S	T	Gw	Tragzahlen	
					H7/m6											[kg]	dyn	stat
																	[kN]	[kN]
IKB 10	24	8	56	60	10	32	22	39	44	2	10	6.6	10	10	3.3	0.3	5	10
IKB 12	28	10	72	65	12	34	22	52	45	2	10	9	12	12	3.3	0.6	8	16
IKB 16	36	16	90	80	16	40	27	65	55	3.5	10	11	16	16	4.3	0.9	12.5	25
IKB 20	45	16	100	95	20	45	30	75	70	7.5	10	11	20	20	4.3	1.5	20	40
IKB 25	56	25	120	115	25	55	37	90	85	10	10	13.5	25	25	5.4	2.7	32	64
IKB 32	70	25	145	145	32	65	43	110	110	14.5	6	17.5	32	32	5.4	4.5	50	100
IKB 40	90	36	185	170	40	76	52	140	125	17.5	6	22	40	40	8.4	8.5	80	160
IKB 50	110	36	215	200	50	95	65	165	150	25	—	26	50	50	8.4	13.5	125	250
IKB 63	140	50	270	230	63	112	75	210	170	33	—	33	63	63	11.4	23.4	200	400
IKB 80	170	50	320	280	80	140	95	250	210	45	—	39	80	80	11.4	38.5	320	640

Gabel-Lagerbock 60°, DIN 24556


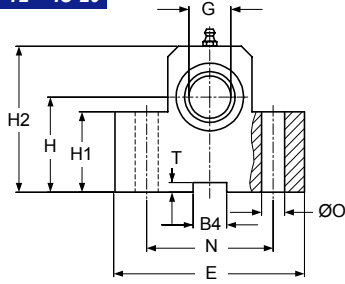
Zylinder-Standards CK / CH																			
Typ	B	B1	E	E1	G	H	H1	N	N1	N2	N3	N4	R	R1	S	T	Gw	Tragzahlen	
					K7 m6												[kg]	dyn	stat
																		[kN]	[kN]
DK 12	30	10	75	60	12	40	28	55	40	46	16	56	9	12	10	3.3	0.5	8	16
DK 16	40	16	95	80	16	50	37	70	55	61	18	74	11	16	14	4.3	1.1	12.5	25
DK 20	50	16	120	90	20	55	39	85	58	64	20	80	13.5	20	16	4.3	1.7	20	40
DK 25	60	25	140	110	25	65	48	100	70	78	22	98	15.5	25	20	5.4	2.7	32	64
DK 30	70	25	160	135	30	85	62	115	90	97	24	120	17.5	30	22	5.4	5.2	50	100
DK 40	80	36	190	170	40	100	72	135	120	123	24	148	22	40	28	8.4	9.3	80	160
DK 50	100	36	240	215	50	125	90	170	145	155	35	190	30	50	35	8.4	18.3	125	250
DK 60	120	50	270	260	60	150	108	200	185	187	35	225	39	60	44	11.4	35	200	400
DK 80	160	50	320	340	80	190	140	240	260	255	35	295	45	80	55	11.4	63	320	640
DK 100	200	63	400	400	100	210	150	300	300	285	35	335	48	100	70	12.4	109	500	1000

Lagerbock 90°, ISO 8133


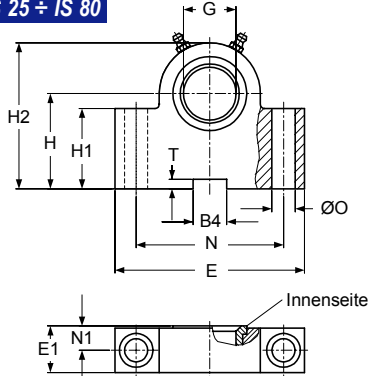
Zylinder-Standards CK / CH													
Typ	Kolben-Ø	CK	E	EM	FL	MR	LE	AA	HB	R	Gewicht	Tragzahlen	
	[mm]	H8	max	h13	JS14	max	min	max	H13	JS14	[kg]	dyn	stat
												[kN]	[kN]
C-14425	25	10	40	12	23	12	13	40	5.5	28.3	0.3	8	16
C-14432	32	12	45	16	29	17	19	47	6.6	33.2	0.45	12.5	25
C-14440	40	14	63	20	29	17	19	59	9	41.7	0.9	20	40
C-14450	50	20	75	30	48	29	32	74	13.5	52.3	1.3	32	64
C-14463	63	20	90	30	48	29	32	91	13.5	64.3	1.9	50	100
C-14480	80	28	115	40	58	34	39	117	17.5	82.7	4	80	160
C-144100	100	36	130	50	79	50	54	137	17.5	96.9	6.25	125	250
C-144125	125	45	165	60	87	53	57	178	24	125.9	11.4	200	400
C-144160	160	56	205	70	103	59	63	219	30	154.9	20.8	320	640
C-144200	200	70	245	80	132	78	82	269	33	190.2	38.8	500	1000

Schwenkzapfen-Lagerbock

IS 12 ÷ IS 20



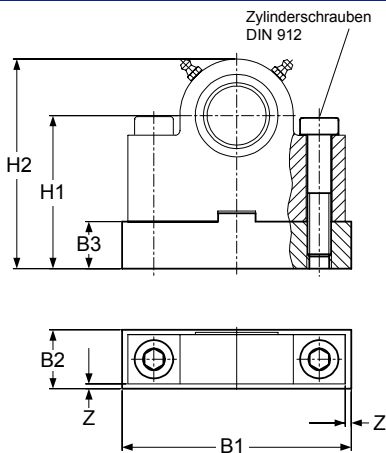
IS 25 ÷ IS 80



Zylinder-Standards 16M / 25M / CK

Typ - Zapfen Ø	H	H1	H2	G	E	E1	N	N1	O	B4	T	Gewicht [kg]	Tragzahlen dyn stat	stat [kN]
IS 12	34	25	49	12	63	17	40	8	9	10	3.3	0.5	8	16
IS 16	40	30	59	16	80	21	50	10	11	16	4.3	0.8	12.5	25
IS 20	45	38	69	20	90	21	60	10	11	16	4.3	1.2	20	40
IS 25	55	45	80	25	110	26	80	12	13.5	25	5.4	2.2	32	64
IS 32	65	52	100	32	150	33	110	15	17.5	25	5.4	4.6	50	100
IS 40	76	60	120	40	170	41	125	16	22	36	8.4	7.8	80	160
IS 50	95	75	140	50	210	51	160	20	26	36	8.4	14.3	125	250
IS 63	112	85	177	63	265	61	200	25	33	50	11.4	23.4	200	400
IS 80	140	112	220	80	325	81	250	31	39	50	11.4	53.1	320	640

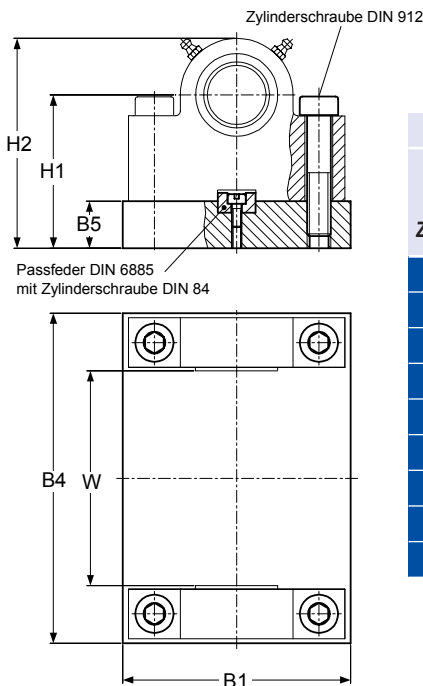
Anschweißplatte für Schwenkzapfen-Lagerbock



Zylinder-Standards 16M / 25M / CK

Typ - Zapfen Ø	CR	H1	H2	B1	B2	B3	Z	Zylinderschraube DIN 912 (M..)
IPS 12	12	49	65	65	19	15	2	8 x 35
IPS 16	16	60	80	85	24	20	2	10 x 45
IPS 20	20	65	90	95	24	20	2	10 x 50
IPS 25	25	75	100	115	29	20	2	12 x 60
IPS 32	32	95	130	160	38	30	4	16 x 75
IPS 40	40	111	155	180	48	35	4	20 x 90
IPS 50	50	135	180	220	58	40	4	24 x 110
IPS 63	63	162	230	280	68	50	4	30 x 130
IPS 80	80	195	275	340	88	55	4	36 x 160

Anschweißplatte für Schwenkzapfen-Lagerbock



Zylinder-Standards 16M / 25M / CK

Typ - Zapfen Ø	CR	H1	H2	B1	B4		B5		W		Passfeder Form D DIN 6885	Zylinderschraube DIN 84 (M..)	Zylinderschraube DIN 912 (M..)
					16M CK	25M	16M CK	25M	16M CK	25M			
IPD 12	12	47	63	65	99	--	13	63	--	10 x 8 x 20	3 x 20	8 x 35	
IPD 16	16	58	78	85	122	--	18	75	--	16 x 10 x 28	5 x 10	10 x 45	
IPD 20	20	63	88	95	137	--	18	90	--	16 x 10 x 28	5 x 10	10 x 50	
IPD 25	25	73	98	115	162	--	18	105	--	25 x 14 x 40	8 x 16	12 x 60	
IPD 32	32	93	128	160	196	188	28	120	112	25 x 14 x 40	8 x 16	16 x 75	
IPD 40	40	109	153	180	227	217	33	135	125	36 x 20 x 56	12 x 25	20 x 90	
IPD 50	50	133	178	220	272	262	38	160	150	36 x 20 x 56	12 x 25	24 x 110	
IPD 63	63	160	228	280	332	317	48	195	180	50 x 28 x 90	12 x 30	30 x 130	
IPD 80	80	193	273	340	417	401	53	240	224	50 x 28 x 90	12 x 30	36 x 160	