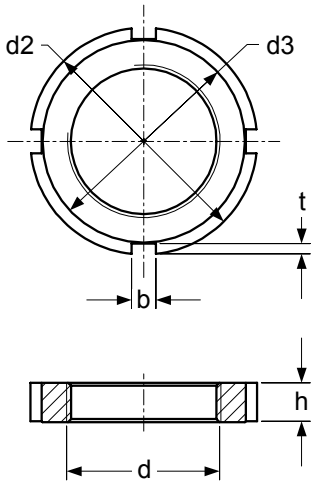


Nutmuttern



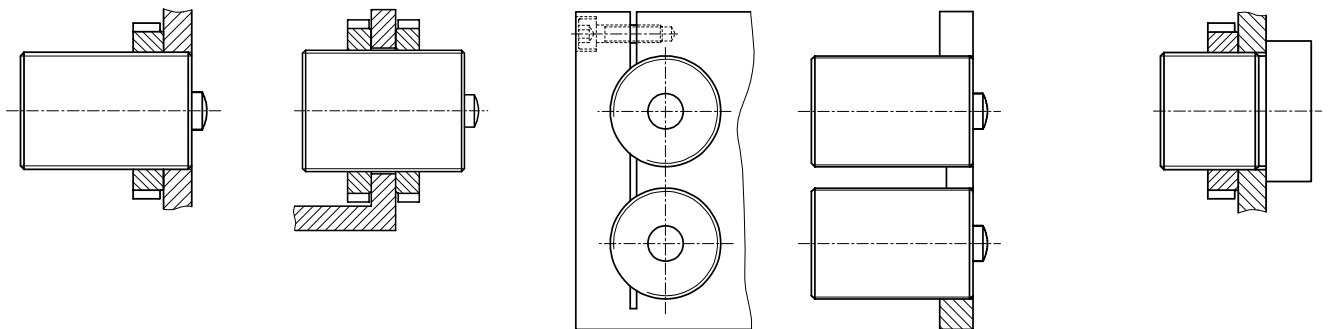
Metrisch Gewinde						
Typ	Gewinde d (M..)	d_2	d_3	h	b	t
95-07-1	22 x 1.5	40	34	9	6	2.5
95-07-2	30 x 1.5	50	43	10	7	3
95-07-3	36 x 1.5	58	50	11	8	3.5
95-07-4	42 x 1.5	62	54	12		
95-07-5	45 x 1.5	68	60	13	10	4
95-07-6	50 x 1.5	75	67			
95-07-7	52 x 1.5	80	70	14	10	4
95-07-8	60 x 1.5	90	80			
95-07-85	65 x 1.5	95	85	16	10	4
95-07-9	70 x 1.5	100	90			
95-07-10	75 x 1.5	110	100	16	10	4
95-07-11	80 x 2	115	105			
95-07-12	85 x 2	120	110	16	10	4
95-07-13	95 x 2	130	120			
95-07-14	105 x 2	140	130	16	10	4

Trapez Gewinde						
Typ	Gewinde d (Tr..)	d_2	d_3	h	b	t
95-06-1	22 x 3	40	34	9	6	2.5
95-06-2	30 x 3	50	43	10	7	3
95-06-3	36 x 3	58	50	11	8	3.5
95-06-4	42 x 3	62	54	12		
95-06-5	50 x 3	75	67	13	10	4
95-06-6	60 x 3	90	80	13		
95-06-7	75 x 3	110	100	14	10	4
95-06-8	95 x 4	130	120	16		

Einbaubeispiele

Einspannzylinder

Hohlkolbenzylinder



Federspannzylinder

Schwenkspannzylinder

Einschraubzylinder

